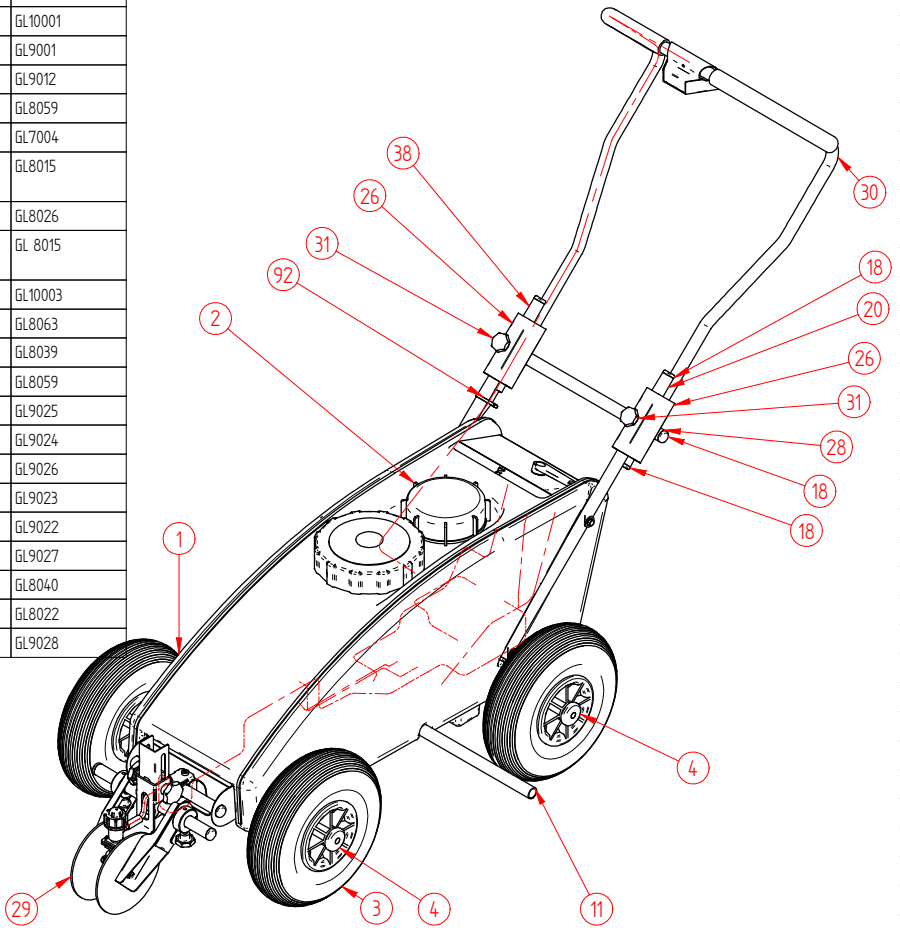


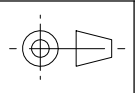
Item Number	Title	Quantity	Comments
55*	HOSETAIL 90° ELBOW 1/2"	6	GL8055
56*	M5 x 16 HEX BOLT	4	GL8058
58*	CARTON KNOCKDOWN - EXPORT	1	GL10004
60*	IML LABEL - TANK (SET OF 2) (NOT SOLD SEPERATLY)	1	GL10002
61*	CHARGER LEAD	1	GL9021
62*	CARTON - ASSEMBLED - SA	1	GL10001
63*	CHARGER 2 AMP	1	GL9001
64*	BATTERY 12V 7AH	1	GL9012
70*	STRAINER MOUNTING BRACKET	1	GL8059
72*	LINE STRAINER	1	GL7004
73*	TANK FITTING-MARKING LIQUID C/W WASHER AND NUT	1	GL8015
74*	NUT M20 x 15 (PLASTIC)	1	GL8026
75*	TANK FITTING-MARKING LIQUID C/W WASHER AND NUT	1	GL 8015
79*	LABEL - TOP PLATE	1	GL10003
80*	TUBING 12 MM - CLEAR	1	GL8063
82*	STRAIGHT BARBED FITTING (1/4")	1	GL8039
84*	STRAINER SUPPORT	1	GL8059
85*	ELECTRICAL CONNECTOR BBF4	1	GL9025
86*	ELECTRICAL CONNECTOR BBM4	1	GL9024
87*	ELECTRICAL CONNECTOR BFD	1	GL9026
88*	ELECTRICAL CONNECTOR RBF4	1	GL9023
89*	ELECTRICAL CONNECTOR RBM4	1	GL9022
90*	ELECTRICAL CONNECTOR RFD	1	GL9027
92	CABLE TIE	1	GL8040
93*	M5 WASHER	4	GL8022
94*	ELECTRICAL CONNECTOR RDF25	1	GL9028



Item Number	Title	Quantity	Comments
1	TANK - GO LINE 30	1	SEE ASSEMBLY
2	FILLER CAP - PAINT TANK	1	GL8005
3	WHEEL	4	GL8003
4	19mm CAP PUSH ON FIX	4	GL8008
5*	M6 WASHER	12	GL8007
7*	FRONT AXLE TUBE	1	GL8001
8*	REAR AXLE TUBE	1	GL8002
10*	19mm SADDLE WASHER	10	GL8006
11	SIDE MAKER EXTENSION TUBE	1	GL8010
12*	M6 x 30 HEX BOLT	10	GL8009
13*	SPRAY HEAD MOUNTING ASSY	1	P/N 0035
14*	M6 x 12 PAN SLOT	20	GL8013
17*	AXLE WASHER	4	GL8016
18	19mm TUBE PLUG (MALE)	7	GL8012
19*	PIN - AXLE R PIN	4	GL8017
20	PRIMARY HANDLE BAR TUBE	1	GL8018
25*	HANDLE GRIP (NOT SOLD SEPERATLY)	1	GL8029
26	HANDLE CLAMPING TUBE ASSY	2	GL8024
28	HANDLE MOUNTING TUBE	1	GL8025
29	SPRAY HEAD GENERAL ASSY	1	SEE ASSEMBLY
30	HANDLE	1	GL8023
31	GRIP SCREW (M6x15) ISKIFFY 105-0615-699-011	2	GL8043
32*	VALVE - PAINT / WATER	1	GL8053
34*	SWITCH ASSY	1	SEE ASSEMBLY
36*	POWERFLO-2200 SERIES	1	GL7001
37*	PUMP MOUNTING PLATE ASSY	1	GL7003
38	PRIMARY HANDLE BAR TUBE OPP	1	GL8019
41*	TANK DRAIN PLUG	1	GL8054
42*	TUBING 12 MM - CLEAR	1	GL8063
43*	BOTTOM COVER PLATE ASSEMBLY	1	GL8052
44*	TUBING 12 MM - CLEAR	1	GL8063
45*	FILLER CAP - WATER BOTTLE	1	GL8004
48*	TUBING POLY 8MM - BLUE	1	GL8056
50*	TUBING 12 MM - CLEAR	1	GL8063
52*	TUBING 12 MM - CLEAR	1	GL8063
53*	TUBING 12 MM - CLEAR	1	GL8063
54*	BACK PLATE ASSY	1	GL8051

<b>MATERIAL:</b>	SEE DETAILED DRAWINGS
<b>"V" TYPE:</b>	N/A
<b>B/A 90:</b>	N/A
<b>FINISH:</b>	SEE DETAILED DRAWINGS
<b>QUANTITY:</b>	SEE DETAILED DRAWINGS

REVISION DESCRIPTION	DRAWN	CHECK	DATE
PARTS LIST UPDATED	B.K.	B.K.	2009/03/25



TOLERANCE TO BE +0.5 MM UNLESS OTHERWISE STATED